

Care Instructions

Warm Nordic's lamps are high quality when it comes to design and functionality.

With correct maintenance, the lamp will remain in good condition for many years to come. We advise that you follow the accompanying guidelines to care for and clean the lamp. This ensures extended life time.

Lacquered steel and solid brass

Regular cleaning: To be wiped with a dry, lint-free cloth. If necessary, use a cloth wrung out in warm water. Wipe with a dry cloth afterwards.

Note that chlorine-based liquid may cause rust formation and so should not be used.

Do not use alcohol or any other solvents.

Do not use abrasives such as scouring creams, steel wool or scouring sponges as these will cause scratches.

All Warm Nordic's brass components are protected by a thin layer of lacquer to ensure a uniform patination. For this reason they must be treated as lacquered surfaces and not with products designed to polish brass.

Opal glass

Regular cleaning: To be wiped with a dry, lint-free cloth. Use glass cleaner if necessary.

Do not use alcohol or any other solvents.

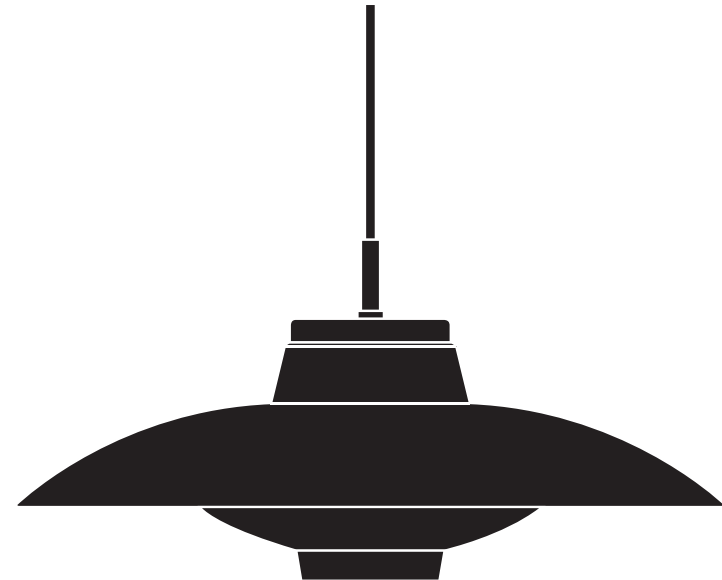
Do not use abrasives such as scouring creams, steel wool or scouring sponges as these will cause scratches.

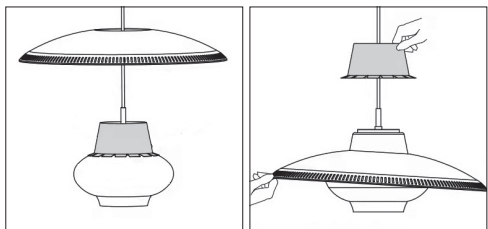
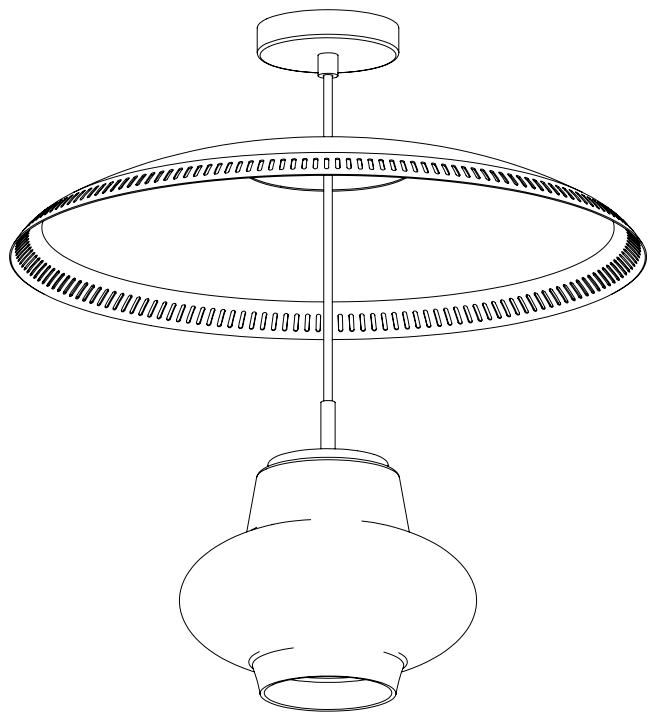
For more information about care and maintenance go to
www.warmnordic.com

Opal Shade Pendant

Designed by
Svend Aage Holm-Sørensen
1959

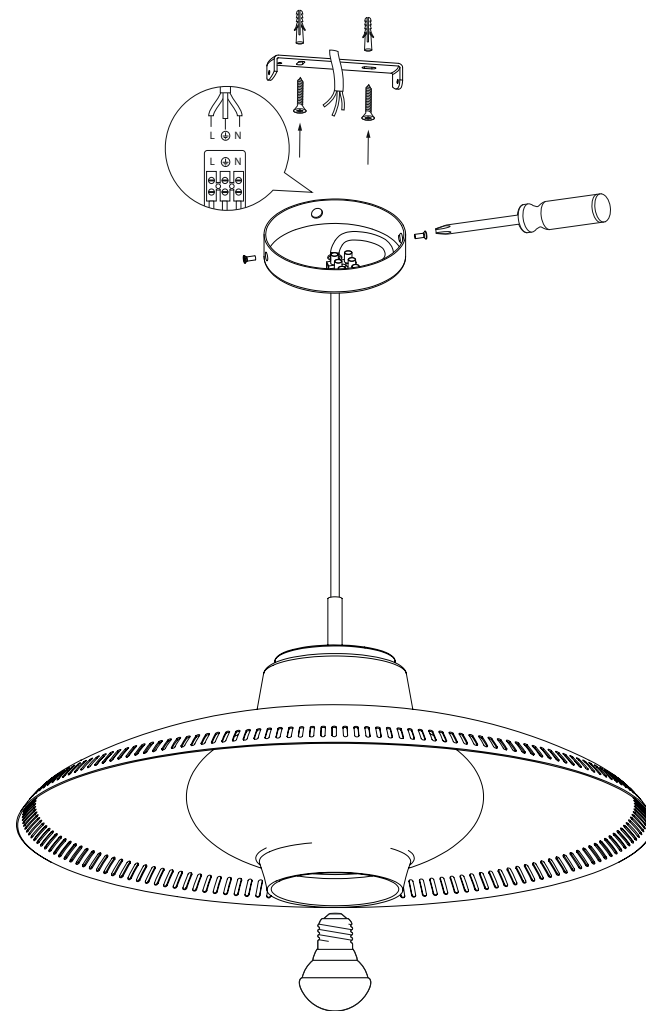
Mounting Instructions





The Opal glass has a very delicate surface, it needs extra attention during installation to protect it from scratches.

- Do not remove the protective paper until final step of installation.
- Secure the shade with great care when it's placed on the Opal glass, to avoid any discoloration in the Opal glass.
- Carefully, remove the protective paper when the shade is to be placed on the Opal Glass.



If the external flexible cable or cord of this luminaire is damaged, it shall be exclusively replaced by the manufacturer or his service agent or a similar qualified person in order to avoid hazard.