

INSTALLATION GUIDE

Lochan Wall Light

Thoughtful lighting, responsibly designed in London.

Thank you for making the switch to Tala.
Discover the full Tala family at tala.co.uk

BEFORE STARTING

Please read instructions thoroughly before installation and keep them for future reference. Please take extreme care when dealing with electrical equipment.

Improper assembly can undermine the safety and longevity of the product.

IMPORTANT

This light fitting must be connected to the supply earth. If your lighting circuit does not have an earth, ask a qualified electrician to provide an earth facility. This fitting operates on 240V mains voltage. Please visit our website to see our recommended dimmers.

This product is suitable from use in bathrooms and outdoor locations*.

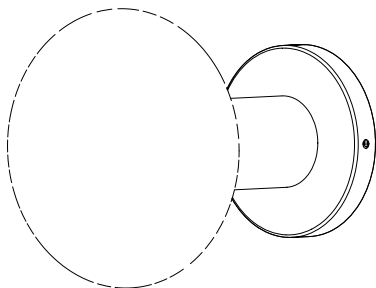
WARNING

Always switch off electricity supply at the mains during installation and maintenance. We recommend that the fuse is withdrawn or the circuit breaker is switched off whilst work is in progress. Do not just turn off at the wall switch. All fittings must be installed in accordance with current Building Regulations and IEE Wiring Regulations.

RECOMMENDED EQUIPMENT

- Small flat head screwdriver
- Wire strippers
- Insulation tape

Further equipment may be required for fixing to your wall or ceiling

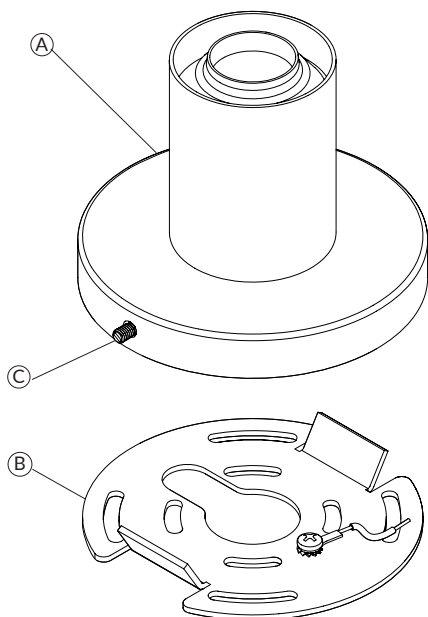


Scan me for more
technical help

SKU - LOCH-BRAS-WL-01-EU
SKU - LOCH-GRAP-WL-01-EU

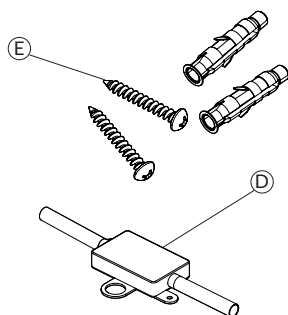


LOCHAN WALL LIGHT - PROVIDED COMPONENTS



- (A) x1 Wall light
- (B) x1 Wall bracket
- (C) x2 Grub screws
- (D) x1 Junction box
- (E) Screws and rawl plugs

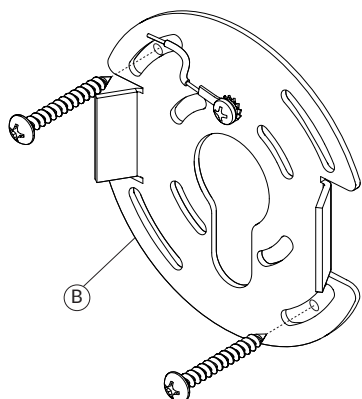
(Always use screws and plugs that are appropriate to the wall/ceiling)



STEP 1

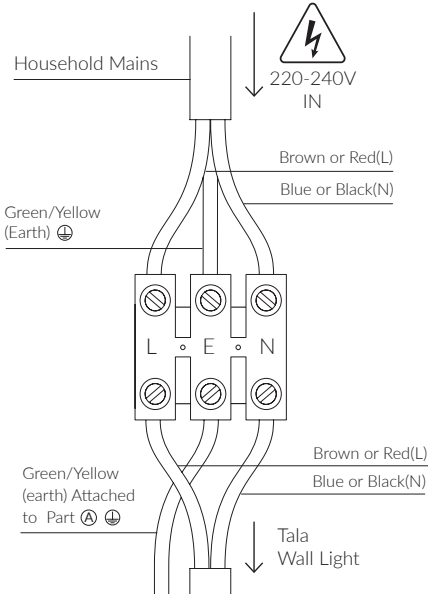
Attach (B) to your wall or ceiling using screws and plugs. Ensure the central keyhole aligns with your wall cavity.

Always use screws and plugs that are appropriate to the ceiling/wall type.



STEP 2

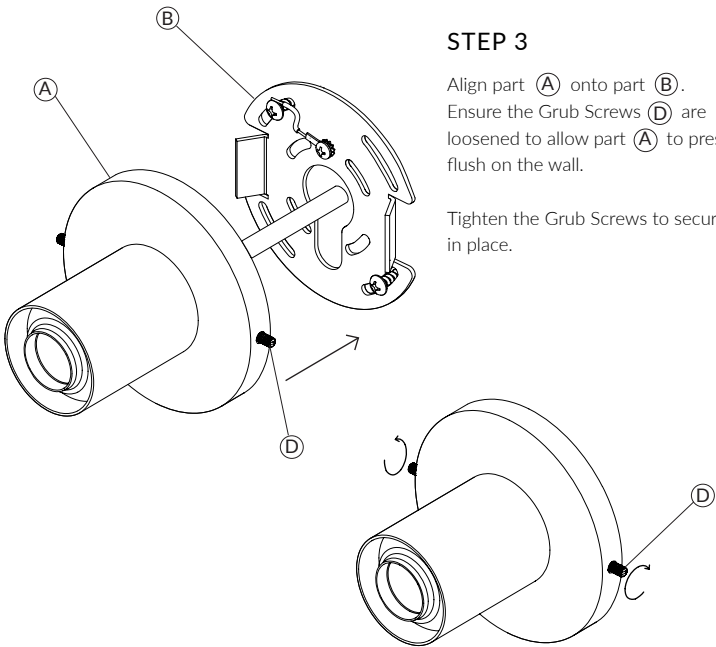
First identify your household wiring using current Building Regulations and IEE Wiring Regulations. Attach the wall light wiring to your household supply as shown. Use an appropriate junction box.

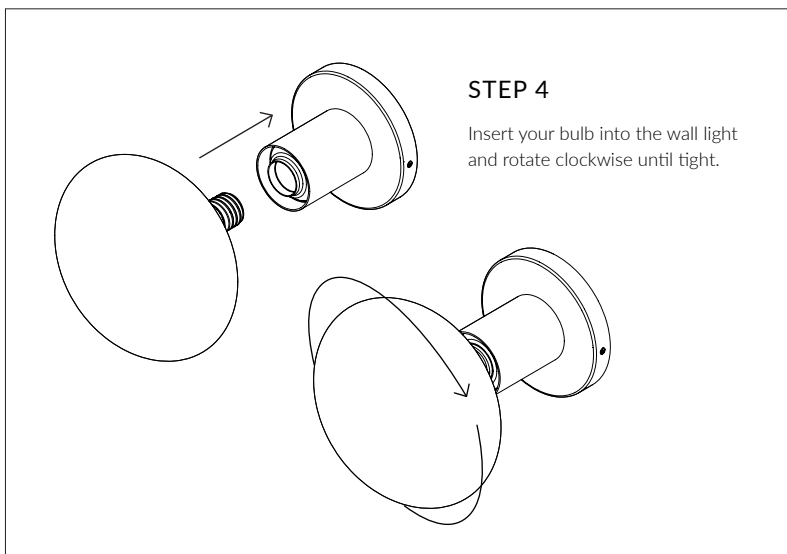


STEP 3

Align part (A) onto part (B). Ensure the Grub Screws (D) are loosened to allow part (A) to press flush on the wall.

Tighten the Grub Screws to secure in place.





CARE AND CLEANING

We recommend cleaning with a soft dry cloth.

Do not use abrasive materials as these will damage the finish of the product. Do not use alcohol or other solvents.

WARRANTY AND AFTER-CARE


This product has a two-year warranty. If there appears to be a functional defect with the product during this time, please contact our team at customerservice@tala.co.uk.

REGISTER YOUR PRODUCT

Extend your warranty on this product to up to five years - free of charge.

Scan the QR code below to register:



This symbol  indicates that electrical and electronic equipment (WEEE) should not be mixed with general household waste.

For recovery and recycling, please take this product to a designated collection point where it will be accepted free of charge. Many retailers offer this in-store. Disposing of this product correctly will help save valuable resources and prevent any potential negative effects on human health and the environment.

*IP44 rated - providing protection against solid objects that are over 1mm and against water splashing from any angle.

Join the Community

Instagram: @tala | Facebook: talaHQ | Pinterest: TalaLED | Tag: lighttoliveby

Tala Studios, 25B Vyner Street, London E2 9DG | hello@tala.co.uk

Tala Europe B.V, Bertus Aafeshove 40, Nieuwegein 3437JN, Netherlands