

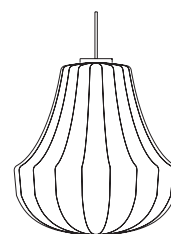
# PHANTOM

EU Version



**normann**  
COPENHAGEN

# Phantom Lamp Small - EU Version



Ø 45 cm

47 cm

1,5 kg

## DESCRIPTION

The dramatic Phantom lamps are made from a steel skeleton, around which an elastic resin is sprayed in closely-spaced threads, as a silkworm forms its cocoon. Tightly wrapped, the lamp's outline stands out like a mysterious echo of the original shape. The lamps emit an indirect, diffuse light that creates warm and atmospheric illumination.

## DESIGN

Simon Legald, 2018

## MATERIAL

Fire-Resistant Resin / Steel Frame

## CONSTRUCTION

The Phantom lamps are made by spraying thin threads of flame-retardant resin on a voluminous steel frame. Many layers of threads create the full lampshade and give it a textured exclusive finish. The light weighted lamps come assembled with a click cover for the bottom opening.

## MAINTENANCE

Phantom can be cleaned with a duster.

## CORD

4 m textile cord, white color.

## CANOPY

Included, white color, H: 7,7 x Ø: 9 cm 0,04 kg

## DIMMABLE FUNCTION

Yes - with dimmable light source. Ensure your dimmer is compatible with LED.

## VOLTAGE

220-240V

## FREQUENCY

50/60 Hz

## IP RATING

IP20

## CLASSIFICATION

Class I

## SOCKET

E27

## LIGHT SOURCE - RECOMMENDED

LED E27 EU Ø 60 mm

Power: min 11 W

CCT: 3 000 K

Output: 800 lm

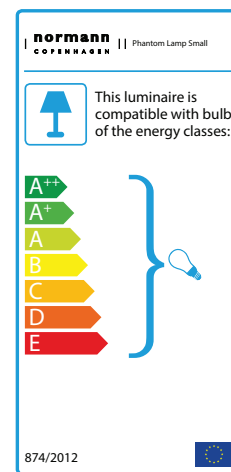
CRI: ~ 80

## GENERAL STANDARD & CERTIFICATES

EN 60598-1:2015 +A1:2018

EN 60598-2-1:1989

EN 62493: 2015

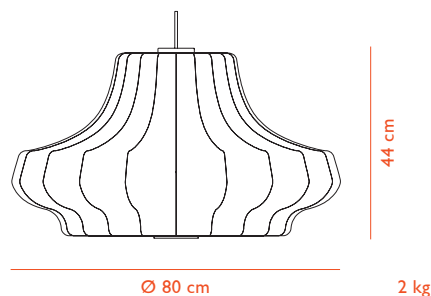


## COLOR



White

# Phantom Lamp Medium - EU Version



## DESCRIPTION

The dramatic Phantom lamps are made from a steel skeleton, around which an elastic resin is sprayed in closely-spaced threads, as a silkworm forms its cocoon. Tightly wrapped, the lamp's outline stands out like a mysterious echo of the original shape. The lamps emit an indirect, diffuse light that creates warm and atmospheric illumination.

## DESIGN

Simon Legald, 2018

## MATERIAL

Fire-Resistant Resin / Steel Frame

## CONSTRUCTION

The Phantom lamps are made by spraying thin threads of flame-retardant resin on a voluminous steel frame. Many layers of threads create the full lampshade and give it a textured exclusive finish. The light weighted lamps come assembled with a click cover for the bottom opening.

## MAINTENANCE

Phantom can be cleaned with a duster.

## CORD

4 m textile cord, white color.

## CANOPY

Included, white color, H: 7,7 x Ø: 9 cm 0,04 kg

## DIMMABLE FUNCTION

Yes - with dimmable light source. Ensure your dimmer is compatible with LED.

## VOLTAGE

220-240V

## FREQUENCY

50/60 Hz

## IP RATING

IP20

## CLASSIFICATION

Class I

## SOCKET

E27

## LIGHT SOURCE - RECOMMENDED

LED E27 EU Ø 60 mm

Power: min 11 W

CCT: 3 000 K

Output: 800 lm

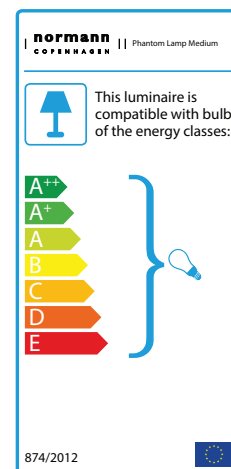
CRI: ~ 80

## GENERAL STANDARD & CERTIFICATES

EN 60598-1:2015 +A1:2018

EN 60598-2-1:1989

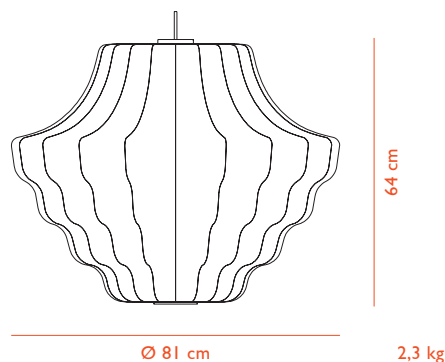
EN 62493: 2015



## COLOR



## Phantom Lamp Large - EU Version



### DESCRIPTION

The dramatic Phantom lamps are made from a steel skeleton, around which an elastic resin is sprayed in closely-spaced threads, as a silkworm forms its cocoon. Tightly wrapped, the lamp's outline stands out like a mysterious echo of the original shape. The lamps emit an indirect, diffuse light that creates warm and atmospheric illumination.

### DESIGN

Simon Legald, 2018

### MATERIAL

Fire-Resistant Resin / Steel Frame

### CONSTRUCTION

The Phantom lamps are made by spraying thin threads of flame-retardant resin on a voluminous steel frame. Many layers of threads create the full lampshade and give it a textured exclusive finish. The light weighted lamps come assembled with a click cover for the bottom opening.

### MAINTENANCE

Phantom can be cleaned with a duster.

### CORD

4 m textile cord, white color.

### CANOPY

Included, white color, H: 7,7 x Ø: 9 cm 0,04 kg

### DIMMABLE FUNCTION

Yes - with dimmable light source. Ensure your dimmer is compatible with LED.

### VOLTAGE

220-240V

### FREQUENCY

50/60 Hz

### IP RATING

IP20

### CLASSIFICATION

Class I

### SOCKET

E27

### LIGHT SOURCE - RECOMMENDED

LED E27 EU Ø 60 mm

Power: min 11 W

CCT: 3 000 K

Output: 800 lm

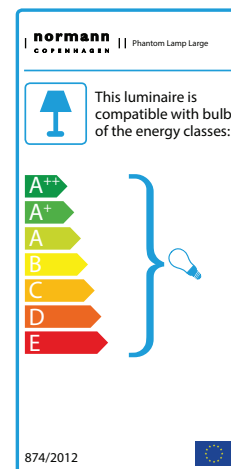
CRI: ~ 80

### GENERAL STANDARD & CERTIFICATES

EN 60598-1:2015 +A1:2018

EN 60598-2-1:1989

EN 62493: 2015



### COLOR

