

- INSTRUCTION MANUAL -

ARCS WALL SCONCE



DESIGN BY MULLER VAN SEVEREN

HAY

The Arcs Wall Lamp is part of a series of arched designs created for HAY by Belgian duo Muller Van Severen. Formed from a continuous chain of curved arches that create an elegant, scalloped silhouette, the lamp provides a soft, ambient up and down light that plays with shapes and shadows. The lamp is easy to mount and is available in two variants – depending on the type of use or installation requirements: the Arcs Wall Sconce with integrated cord design or the Arcs Wall Switch with switch and cable. Arcs is crafted in solid steel and is available in several different colours or with a mirror surface. The different mounting solutions give the lamp a versatile quality, making it suitable for corridors and large spaces, as well as a bedside lamp or in small corners.

TECHNICAL DATA

This product is fitted with an E14 LED bulb fitting. HAY recommends using this product with LED bulbs, max. 8W. HAY will not accept any responsibility for any accidents, injuries or damages that occur due to the use of incorrect bulbs.

ATTENTION

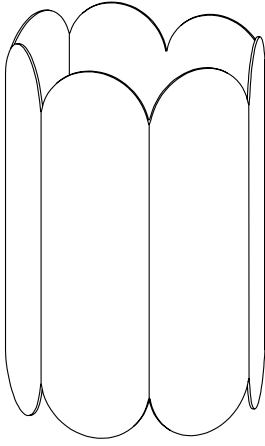
Ensure that the power supply to the circuit has clearly been turned OFF before installing the product. In some countries, electrical installation must be carried out by authorised electricians/contractors; please check with your local authority for guidance.

The product must not be modified in any way. HAY accepts no responsibility for any products that have been modified or tampered with. If the external flexible cable or cord of this luminaire is damaged, it should be exclusively replaced by a qualified electrician in order to avoid an electrical hazard. This lamp is designed for indoor use only.

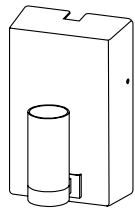
CARE AND MAINTENANCE

The product can be cleaned with a soft damp cloth and mild detergent, or a dry microfibre cloth. Do not use alcohol or any other solvents to clean the product and avoid using abrasive or rough sponges. Ensure that the power supply has been turned OFF before cleaning the product.

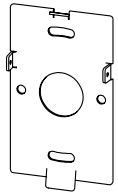
- PARTS -



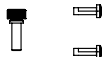
Shade



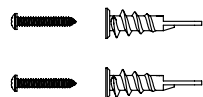
Junction box



Backplate



Top and side
mounting screws

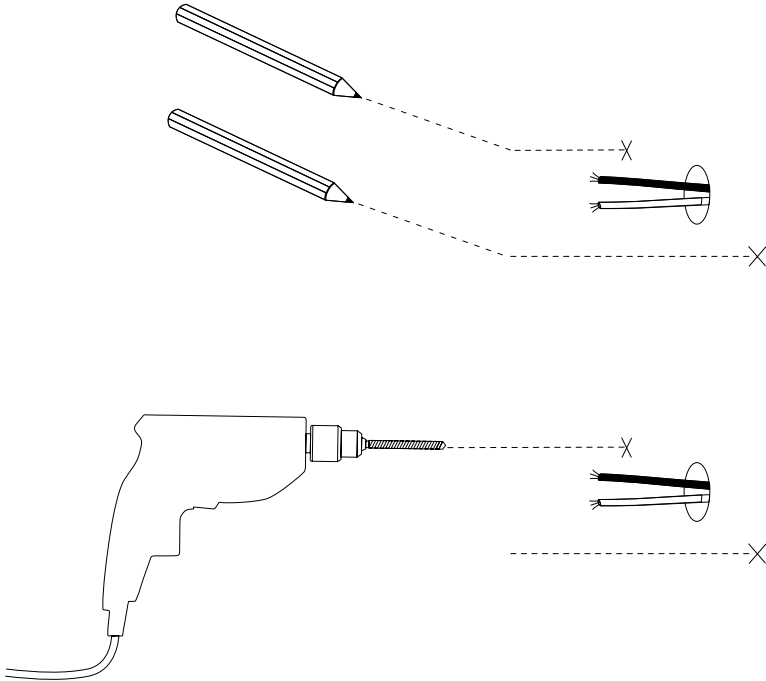


Wall plugs and
screws

1.

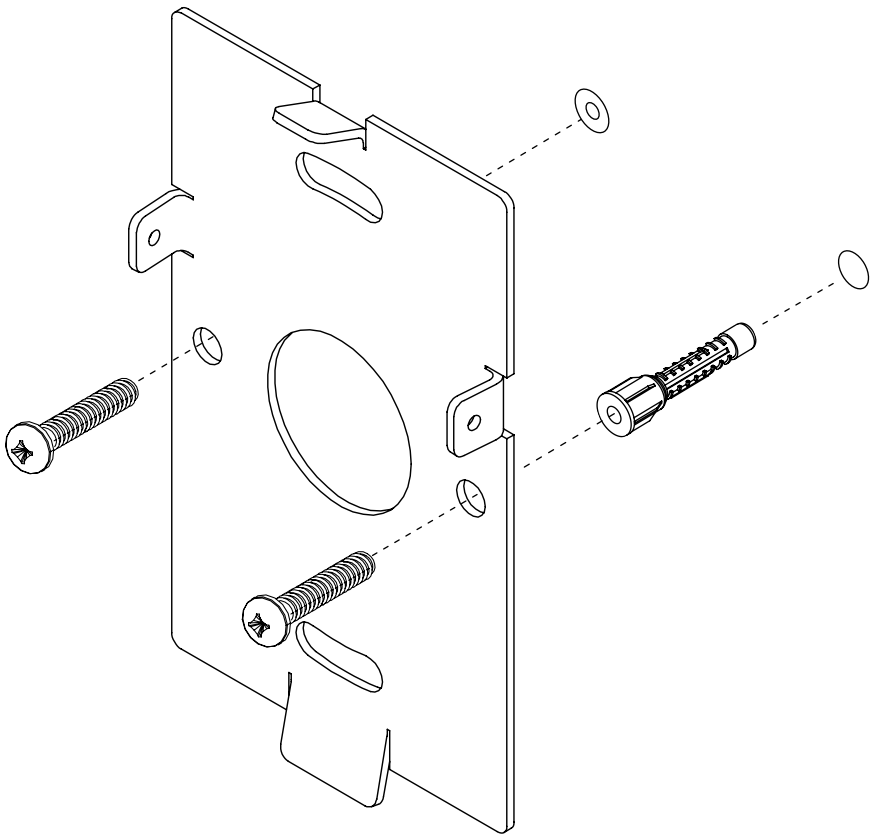
Before installing the lamp, make sure that the power is turned off. Mark the position of where the lamp should be placed on the wall and drill two holes using the correct type of drill for the wall you are drilling into.

The holes on the backplate can be used as guides, to ensure the correct distance between the holes.



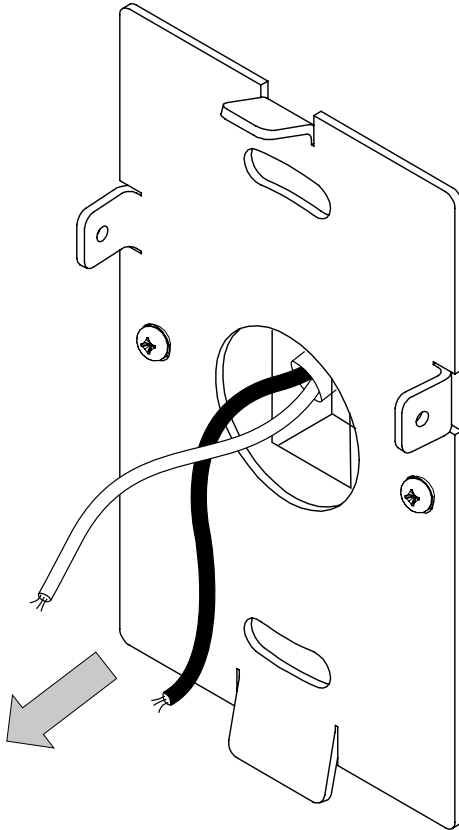
2.

Insert the wall plugs. Ensure you use the correct type of wall plug for the type of wall the lamp is to be mounted on. Once the wall plug is in place, you are ready to mount the backplate with the included screws. If the bracket is mounted directly onto a junction box, the included wall plugs and screws are not needed.



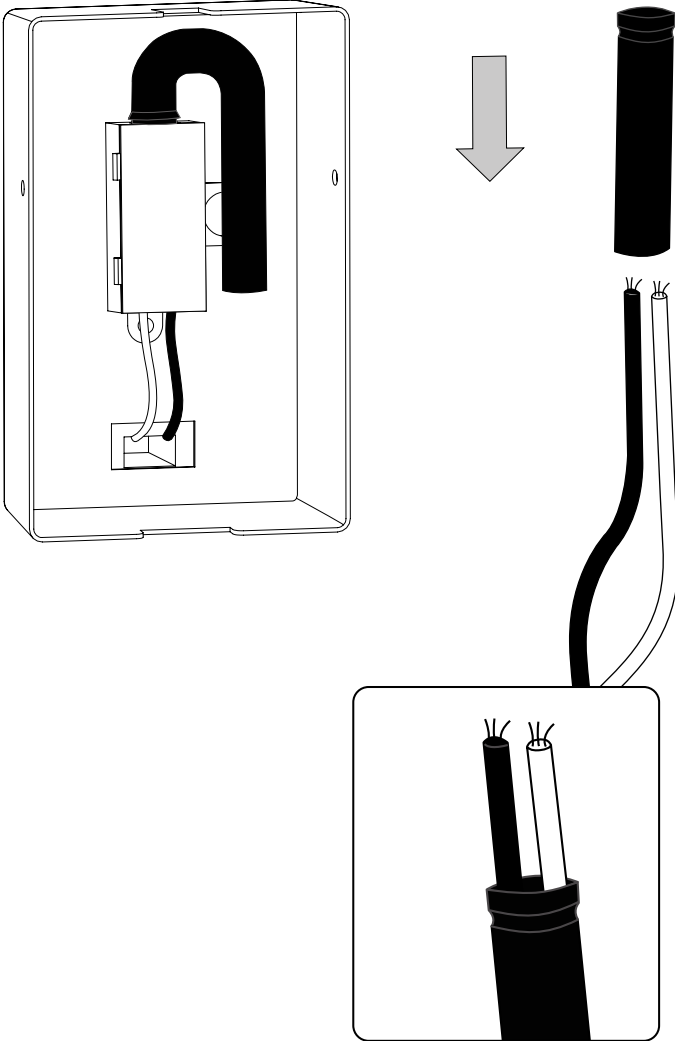
3.

Pull the power cables through the large hole in the centre of the the junction box's backplate.



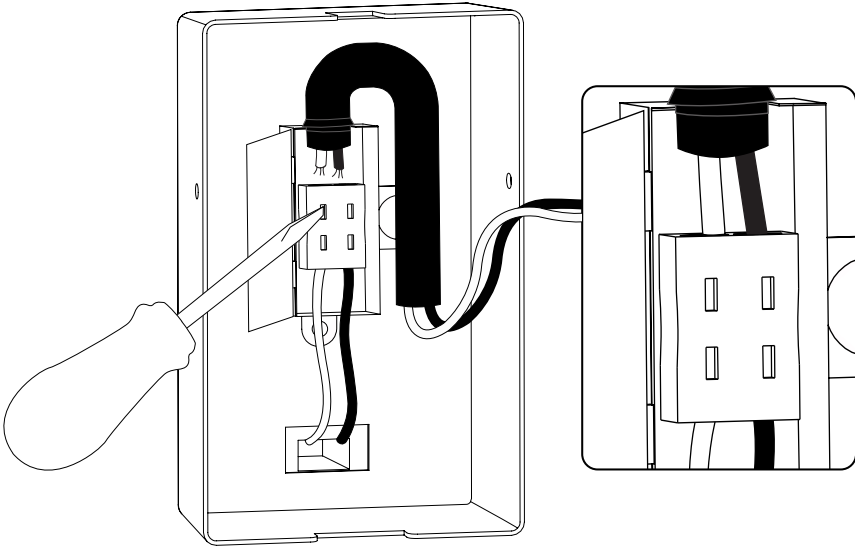
4.

Open the connector block and remove the insulating tube. Gently pull this insulating tube over the power cables that are now protruding from the hole in the centre of the backplate.



5.

Now protected by the insulating tube, you can insert the protruding power cables into the junction box terminal block. Make sure that there is approximately 5mm of exposed wire to ensure a proper connection. To connect the cables, insert the exposed wire into the corresponding slot on the side, as pictured below. If needed, insert a flat screwdriver into the slot on the top and push down while inserting the wire. Repeat with the neutral cable. Once the wires have been properly connected and secured, the connector block can be closed.

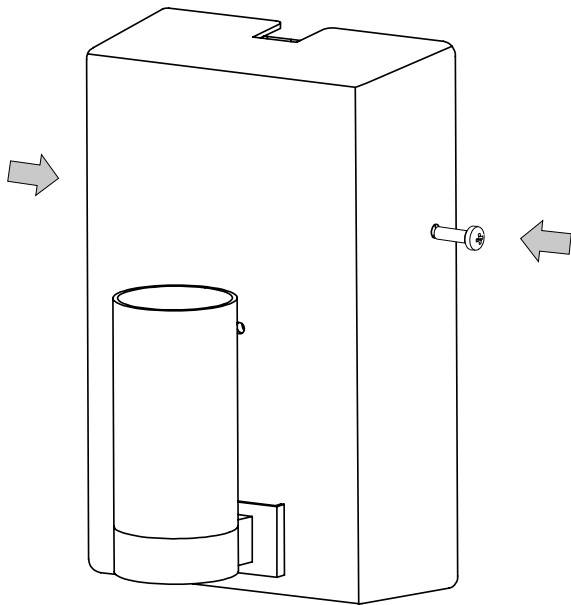


ATTENTION

Live mains cable to live lamp cable.
Neutral mains cable to neutral lamp cable.

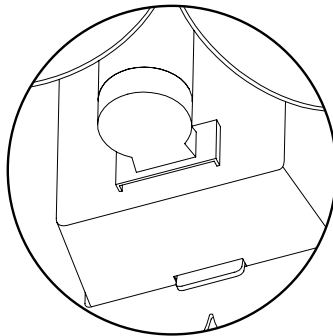
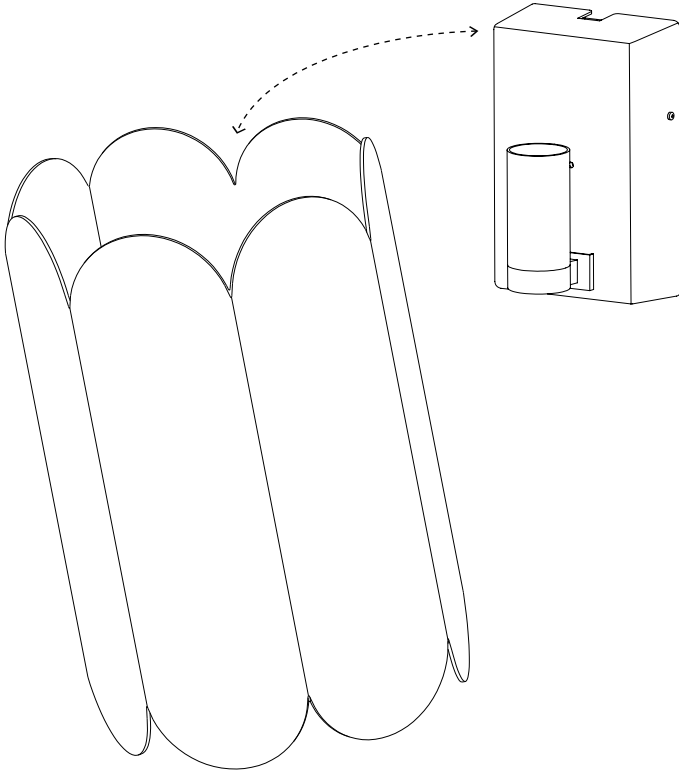
6.

Place the junction box over the backplate, before inserting and fastening the supplied mounting screws on each side of the junction box. Make sure it is fixed firmly in place. Take care not to overtighten the screws as this could damage the threads.



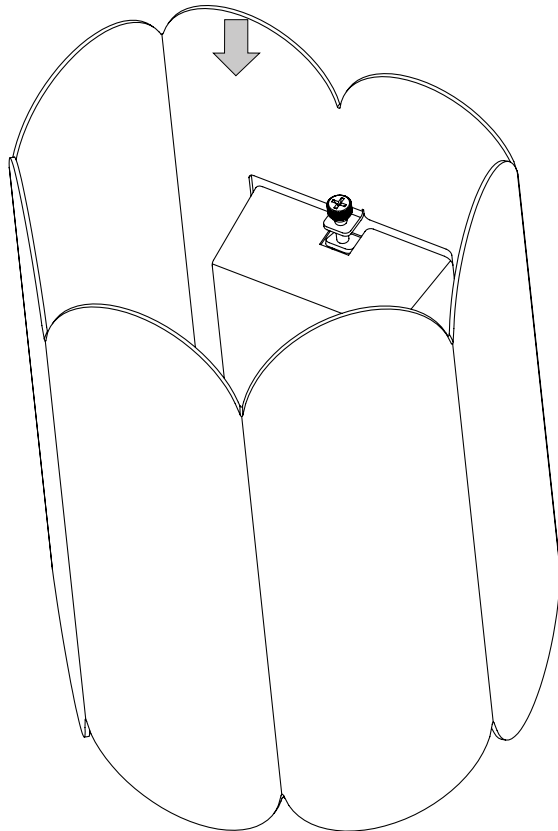
7.

Place the lamp shade carefully on the junction box. Place the shade so that it sits behind the bottom tab on the mounting bracket, and ensure it sits in place. Move the shade towards the wall and align the top screw with the top tab of the junction box.



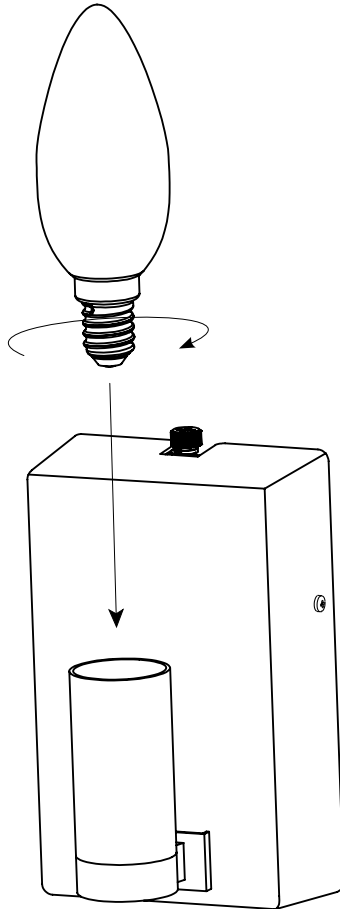
8.

Tighten the top screw carefully, until the shade sits firmly up against the wall.
When the top screw is tightened, the bottom of the shade pulls upwards and locks behind the bottom tab of the mounting bracket. Once this step is done, the shade should sit firmly in place.



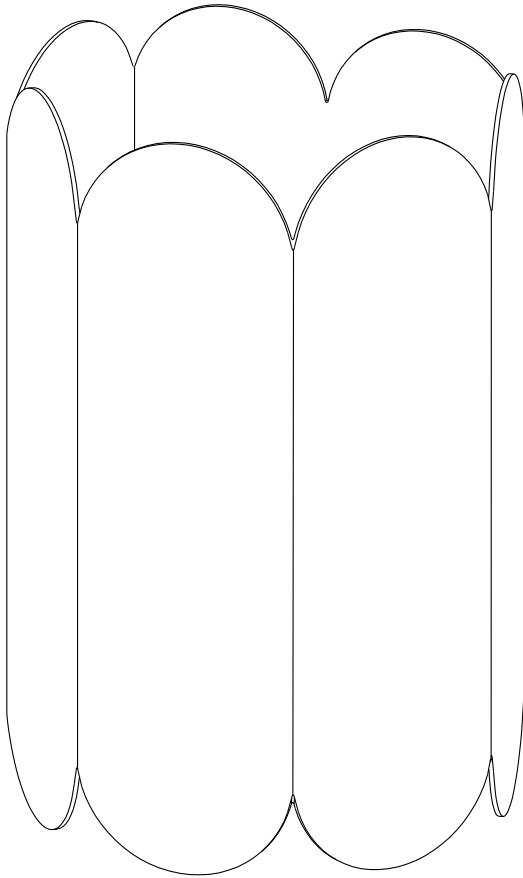
9.

Ensure that the power is off and screw an E14 bulb into the bulb fitting.



9.

Turn the power back on and test that the lamp is working.



Havnen 1 8700 Horsens Denmark
+45 4282 0282 / hay@hay.com

19/04/2021

HAY