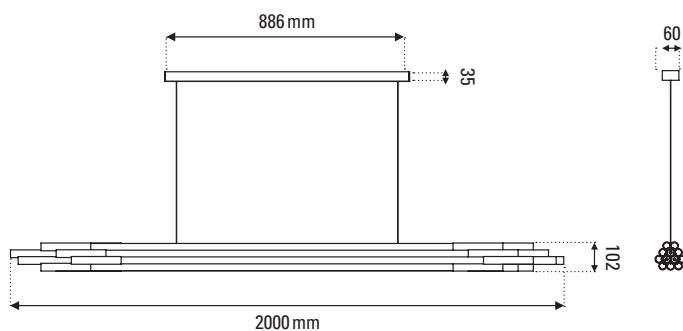




ORG ph 2000

de Sebastian Summa



FICHE TECHNIQUE TECHNICAL SHEET



SUSPENSION

PENDANT LAMP

Matériaux Aluminium, verre, acrylique
Material Aluminum, glass, acrylic

Poids 6 Kg
Weight

Emballage 1760 x 235 x 295 mm
Packaging

IP 20
IP

Tension 220/240V
Voltage

Classe 1
Class

Watt 27W
Watt

Source INTEGRATED LED 2700K
Source

Lumens 2700 lm (installed value)
Lumens output

Driver Driver fourni (166 x 52 x 24 mm)
Dimmable TRIAC 700mA / 28-56V / 40W
Driver Driver supplied (166 x 52 x 24 mm)
TRIAC dimmable 700mA / 28-56V / 40W

Câble Longueur : 3 m
Wire Length : 3 m

Interrupteur NA
Switch

Fiches NA
Plug