

FROST

DENMARK

NOVA2 TOILET ROLL HOLDER 1

Fitting instruction
Montageanleitung
Monteringsvejledning
Monteringsvägledning
Montage hanleiding
Manuel de montage

N1909

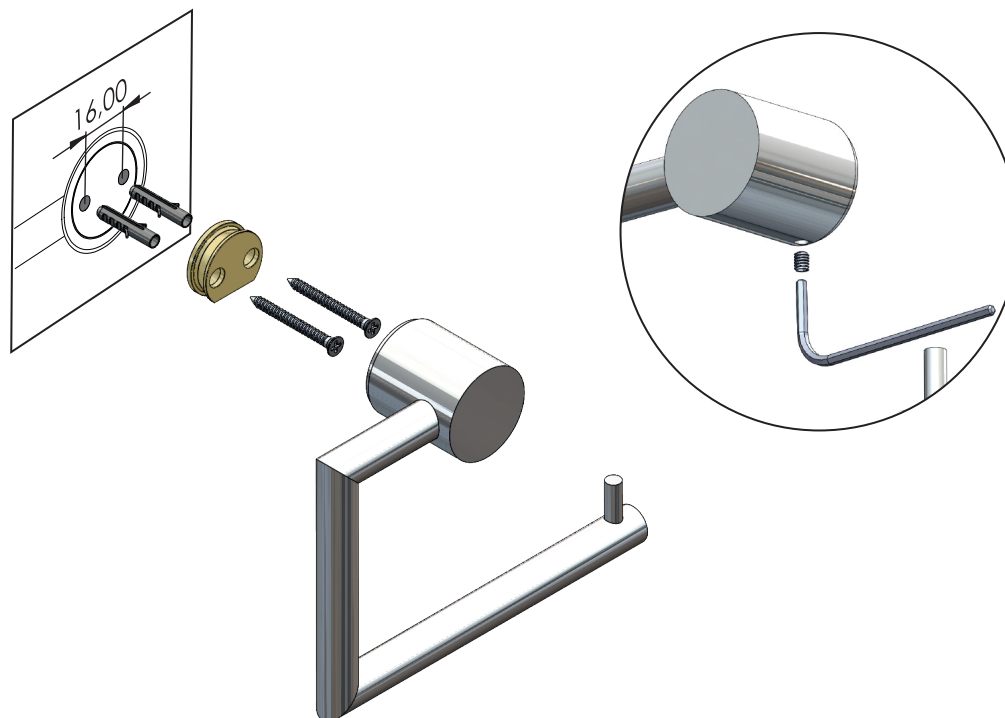
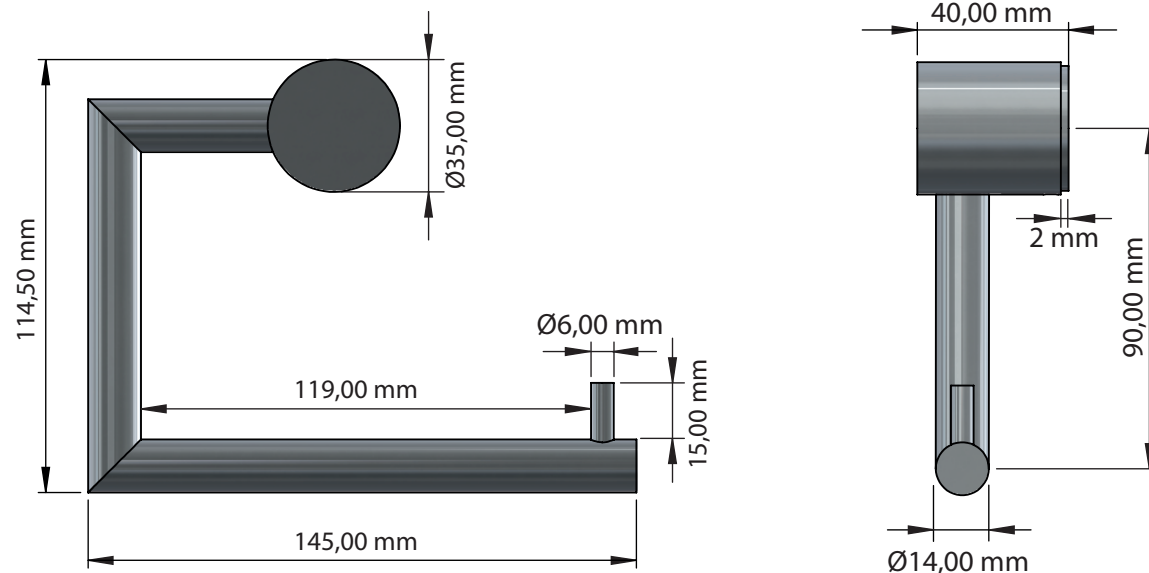


Exclusion of liability

FROST accepts no liability whatsoever for damage to persons or property that occurs or has occurred as a result of improper installation or maintenance, particularly if the safety instructions and other points to note listed are not or have not been observed in full.

Warning and hazard notices

Improper mounting or use can lead to accidents and serious injuries.



Cleaning and maintenance

surfaces should be cleaned with a microfibre cloth, glass cleaner or other non abrasive and gentle agents.

Attention:

Never use solvents or aggressive household cleaners like bleach, acids (e.g. descalers) or ammonia-based bathroom cleaner to clean the product. Steel wool and hard brushes can permanently damage the surface of the steel.

FROST
DENMARK

Bavne Allé 6E
DK-8370 Hadsten
+45 8761 0032
info@frost.dk

www.frost.dk

N1909



O1909



N1909-C



N1909-G



N1909-B



N1909-W

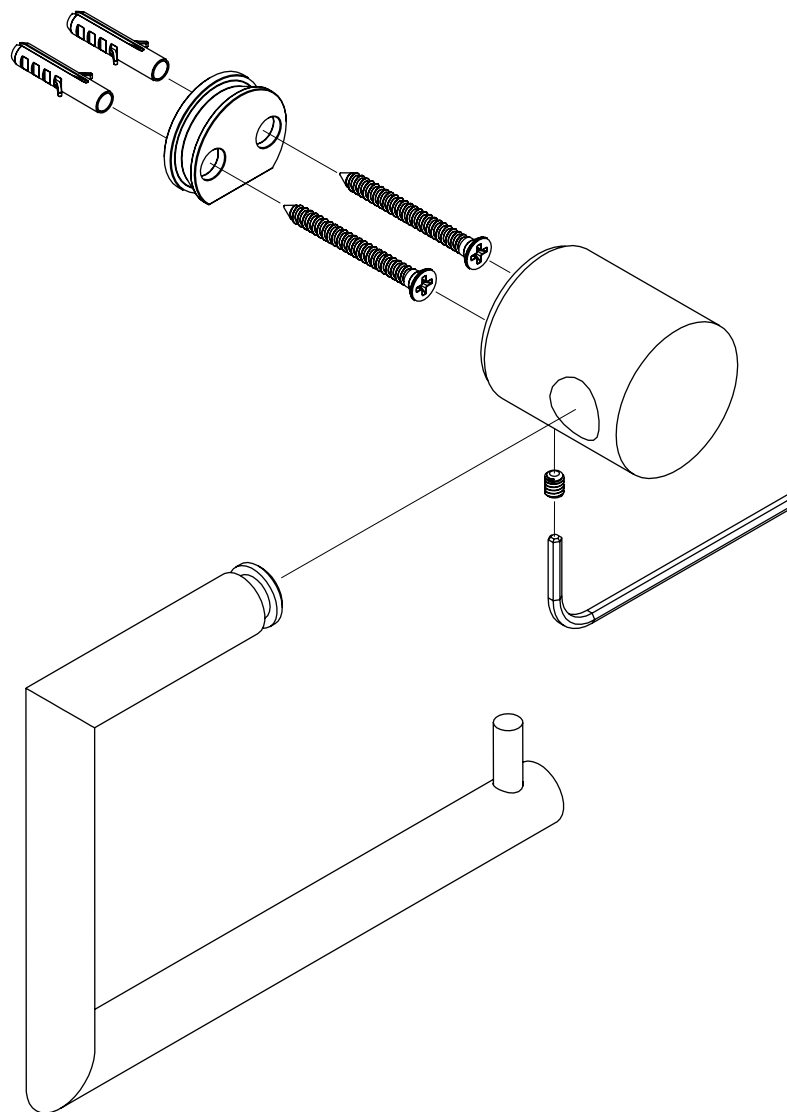


Material: Stainless steel, AISI 304

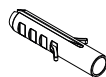
Design: Bønnelycke mdd

Manufacturer: FROST A/S

TOILET ROLL HOLDER 1



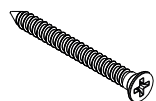
2x



D6 - H30

(A)

2x



D7.8 - DB4.0 - L40

(B)

1x



M5 - P0.8 - L8

(C)

1x



2,5MM

(D)