

## ROMEO MOON S2

<b>Mounting</b>	Pendant
<b>Type of ceiling pendant</b>	Suspension cable
<b>Lamps description</b>	1 x MAX 150W E27 HSGS
<b>Environment</b>	Indoor
<b>Finish</b>	Glass
<b>Technical description</b>	Suspension lamp providing diffused light. Acid-etched pressed borosilicate glass internal diffuser. Pressed clear glass shade. Injection-molded transparent polycarbonate diffuser support. Transparent, stamped polycarbonate dust protection screen. White, injection-molded ABS rose, galvanized pressed steel ceiling fitting. Free steel suspension cable.



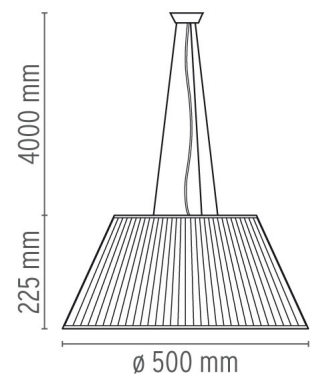
### Romeo Moon S2

designed by Philippe Starck

Suspension lamp providing diffused light

F6110000 Glass

### DIMENSIONS

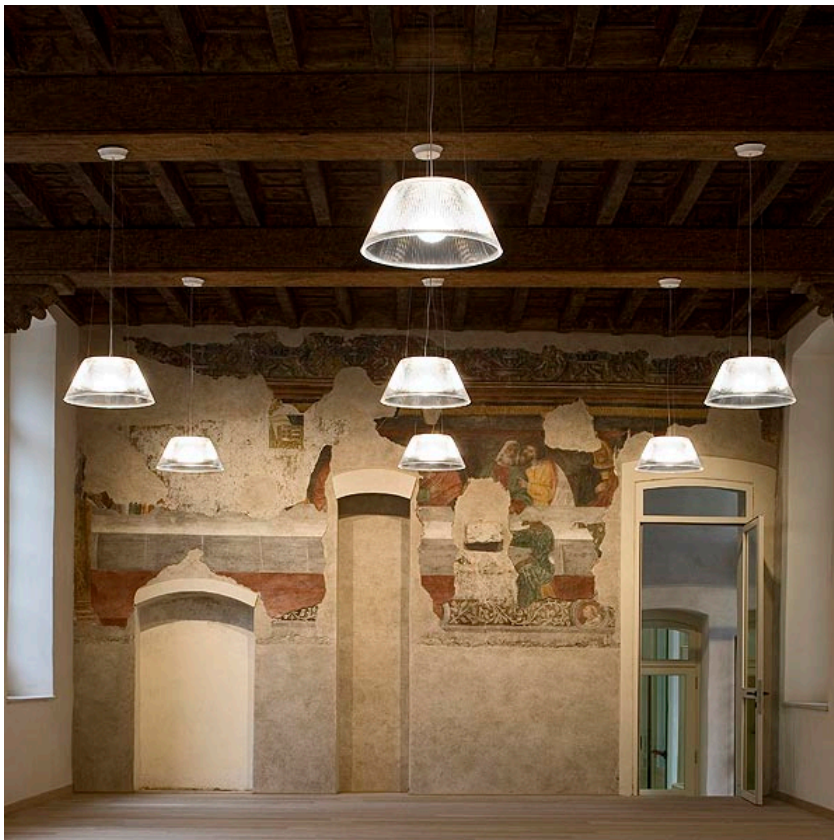


### ELECTRICAL

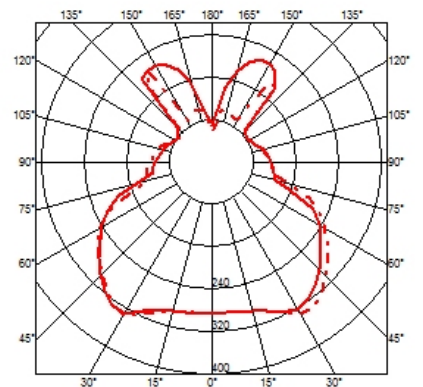
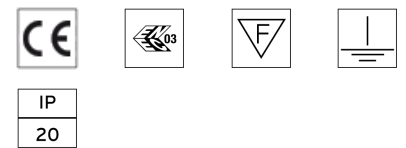
<b>Emergency</b>	Without
<b>Voltage (V)</b>	230

### PHYSICAL

<b>Supply</b>	Terminal block
<b>Cord length (mm)</b>	4000
<b>Construction material</b>	Glass
<b>Weight (kg)</b>	7.6



### CERTIFICATIONS



## Romeo Moon S2 . Lamps



### HSGS 150W E27

**Lamp wattage:**  
150 W

**Lamp category:**  
Halogen mains

**Socket:**  
E27

**Lamp type:**  
HSGS



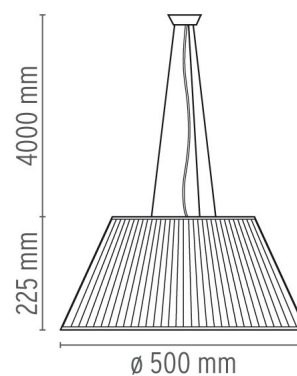
### Romeo Moon S2

designed by Philippe Starck

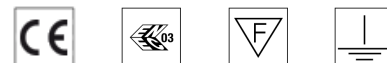
Suspension lamp providing diffused light

F6110000 Glass

### DIMENSIONS



### CERTIFICATIONS



IP  
20

