

Magazine Shelving

The MOEBE Shelving System gives you full freedom to build your own piece of furniture. Build as tall as you like, build as wide as you like.

As a modular system it is built entirely from individual parts. It can be customised and adapted again and again.

Magazine Shelving works great as a standalone piece of furniture though it can also be used within a bigger system that is floor standing or wall mounted.

All shelves are held in place by 2 wedges in the inner corners. The combination of the wedges and the smooth legs allows the shelves to be positioned wherever desired, without any limitations.

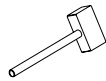
Care instructions

For care instructions, please visit moebe.dk

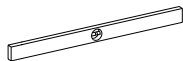
Magazine Shelving



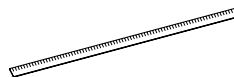
Drill



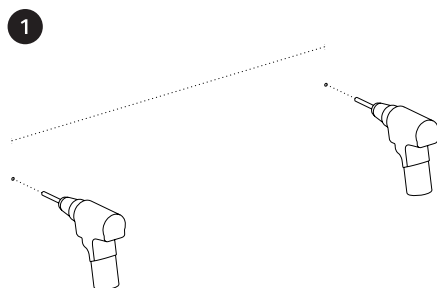
Hammer



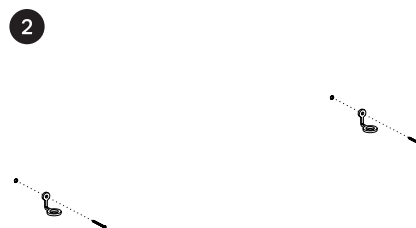
Water level



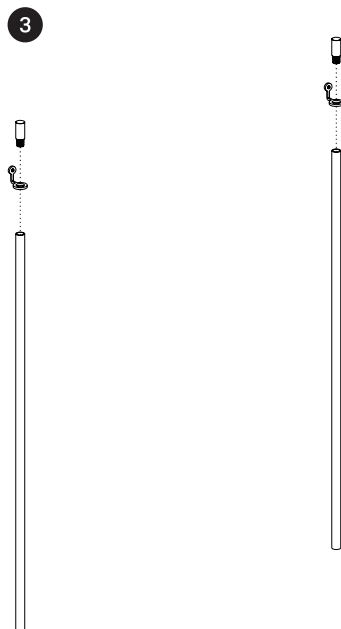
Ruler



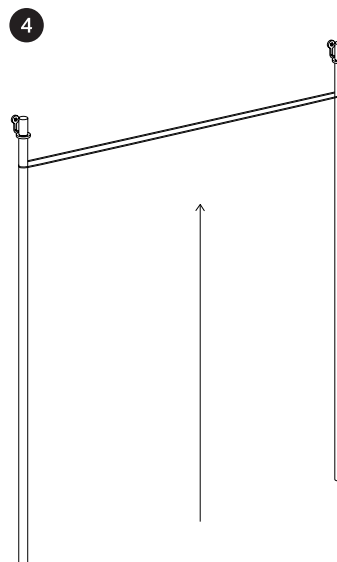
1
Mark and drill holes for the two upper mounting clips. These holes must be leveled and 766 mm apart. Use an adequate wall plug suited for your wall type.



2
Fix the upper mounting clips with the provided screws.

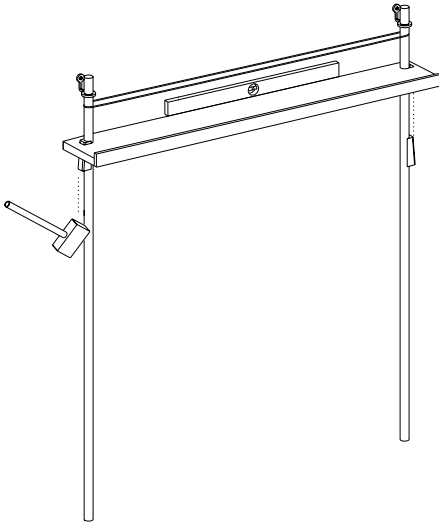


3
Assemble two of the legs by screwing the end bolts into the legs from above.



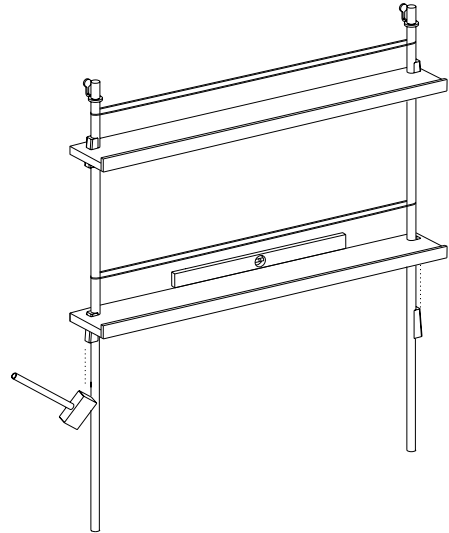
4
Pull one rubberband all the way to the top from below along the legs.

5



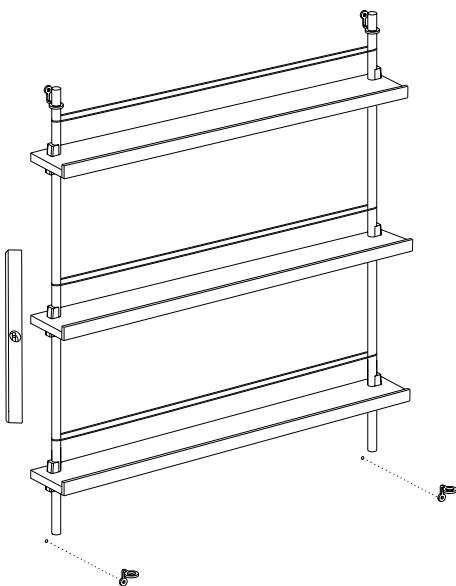
Pull a shelf up from below along the legs. Use a water level to make sure it is leveled. Once you have positioned the shelf, secure it with two wedges. Tap them with a hammer.

6



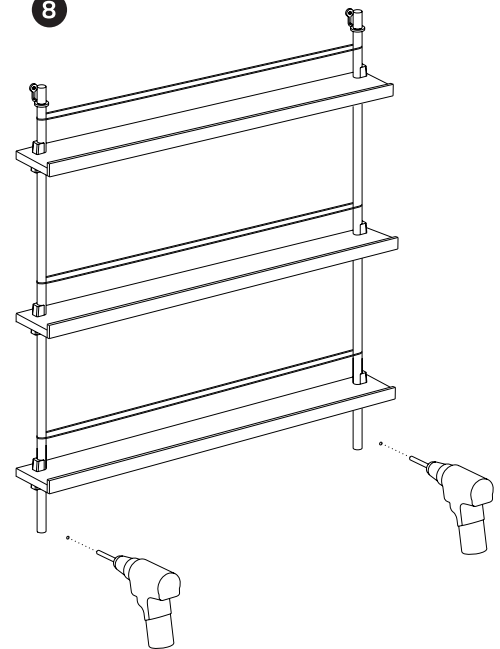
Proceed in this order, until all shelves and rubberbands are in place.

7



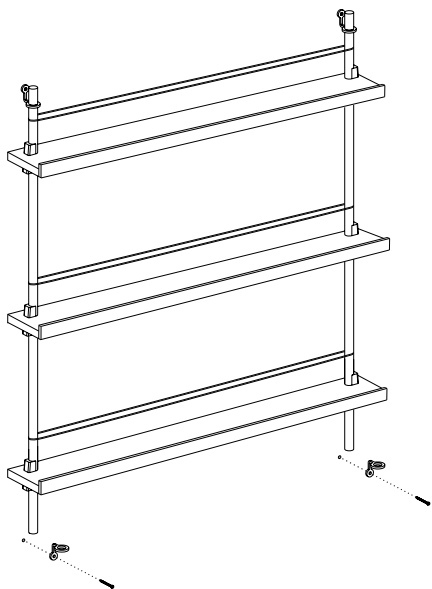
Level the legs vertically and mark the holes for the lower mounting clips.

8



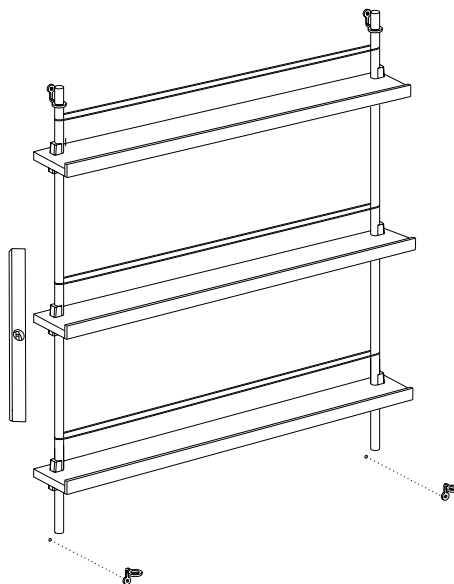
Drill the holes for the lower mounting clips.

9



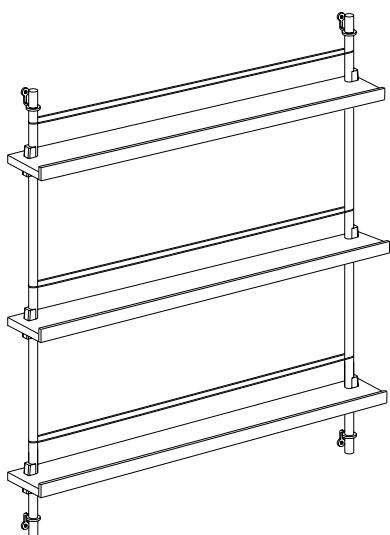
Fix the lower mounting clips with the provided screws.

10



Level the legs vertically and mark the holes for the lower mounting clips.

11

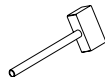


Done!

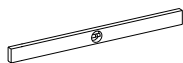
Magazine Shelving Floor Standing



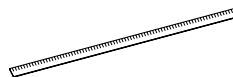
Drill



Hammer

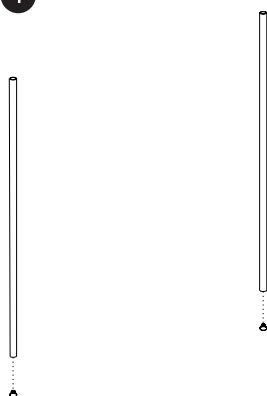


Water level



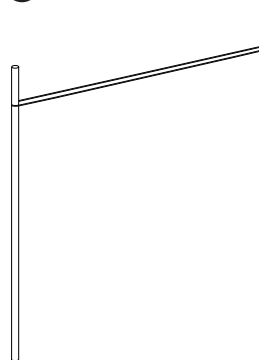
Ruler

1



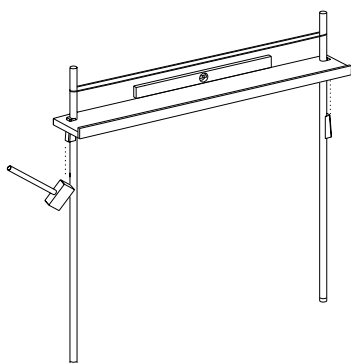
Start by installing two end caps in the bottom of each leg.

2



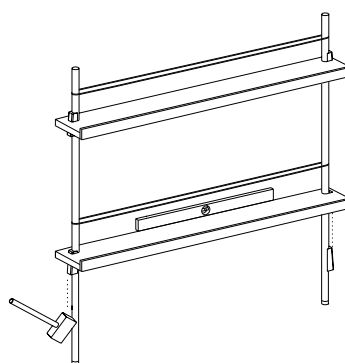
Place one rubberband in the top around the legs.

3



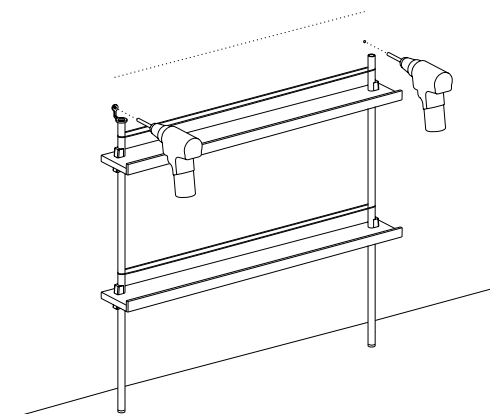
Pull a shelf up from below along the legs. Use a water level to make sure that it is leveled. Once you have positioned the shelf, secure it with two wedges. Tap them with a hammer.

4



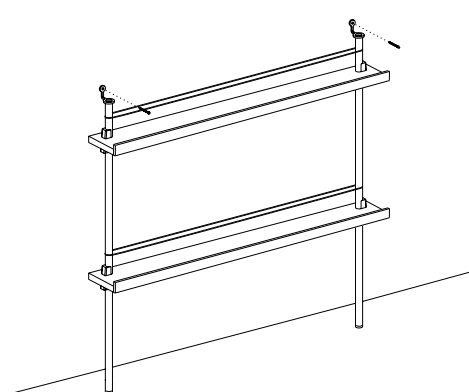
Proceed in this order, until all shelves and rubberbands, that should be in this section, are in place.

5



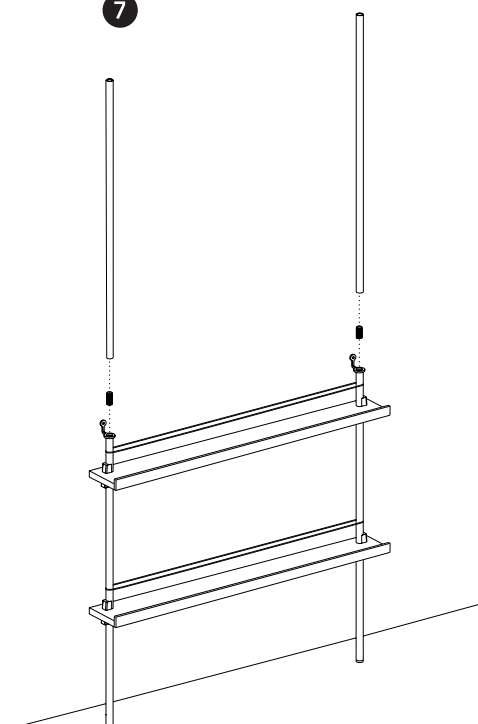
Lean the lower section against the wall, mark and drill the first two mounting holes. These holes must be leveled and 766 mm apart. Use an adequate wall plug suited for your wall type.

6



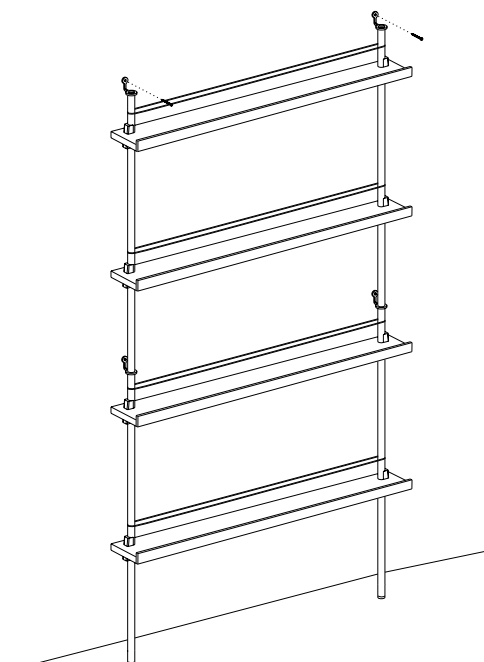
Fix the upper mounting clips with the provided screws.

7

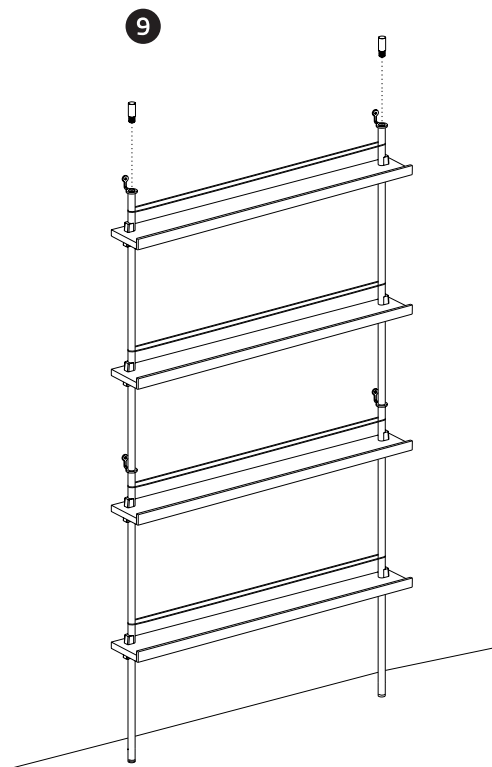


Screw the connector screws as far into the legs as possible. Add the leg extensions by screwing them tight against the lower part of the legs.

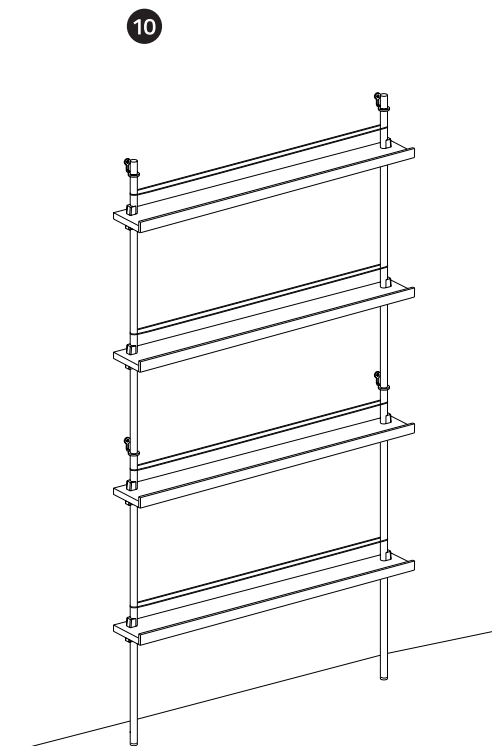
8



Assemble the remaining rubberbands and shelves by sliding them down from the top. Drill holes for the upper mounting clips and secure them to the wall.



Secure the top two end bolts from above to complete the assembly.



Done!